



October 28, 2023

Applications will be considered on a "first come, first serve" basis! Applications must be complete, or they will be rejected.

Deadline for Application: Friday, October 20, 2023

All Applications received AFTER the deadline will be charged a \$50 late fee!

The Hot Pepper Festival is not intended to be a business showcase event. If a business wishes to participate in the Festival, sponsorships are available through the Palestine Area Chamber of Commerce.

Some businesses may be eligible to host a booth and must meet all criteria stated below and is subject to approval by the Palestine Area Chamber of Commerce. Please contact the Palestine Area Chamber of Commerce at 903.729.6066 if you have any questions or would like more information about sponsorship opportunities.

***Craft-Retail (nonfood) Vendor Booth Fees: \$125, Non-Profit \$100 Go Texan Members save 10%**

***Sauce, Salsa, rub, candy, foods to be sampled and sold as retail \$150 Go Texan Members save 10%**

1. Payment must accompany application form. Applications will not be reviewed until payment has been received.
2. A valid Texas State Sales Tax ID Number MUST accompany ALL applications. Applications **will not be reviewed** without this number.
3. No beverages or foods may be sold or distributed from any vendor booth.
4. Acceptance and placement of vendors is at the sole discretion of the Palestine Area Chamber of Commerce.

Food Vendor/Concession Stand Fees: \$250, Non-Profit \$150, Go Texan Members save 10%

1. Samples may be given away at the booth's discretion, but they must meet current Net Health requirements.
2. **Food Vendors are required to apply for a food permit through the Health Net. Visit <https://mynehealth.org/> for forms or call 903.535.0030.**
3. Food Vendors will be allowed to sell soft drinks or water.
4. **Designation of specific food, drink, or frozen drink categories must be made at time of application and will be considered on a first come first serve basis. If Vendor's product(s) contain alcohol, and Vendor intends to sample same, prior approval is required, booth will be in a designated area and a certified bartender must be hired at Vendor's expense. Please indicate the first and second choice of food, drink, or frozen drink. Please include a listing of your menu with prices. Prices must be displayed during the festival hours for attendees to view easily.**
5. Once accepted, food categories may not be changed without prior approval.
6. PROOF of \$1,000,000 Liability Insurance Policy is required of all vendors and a Certificate of Insurance must accompany the application.
7. A copy of contract for grease disposal must accompany Vendor Application.
8. **All Vendors are responsible for trash removal. Dumpsters are at the end of each street for your convenience. Dumping of grease or other food waste is NOT ALLOWED (\$250 Fine).**

Additional Information

1. Violators to any rules listed on this application will **not** be invited back to future Hot Pepper or other Festivals hosted by the Palestine Area Chamber of Commerce.
2. Electricity is **\$45 per 120 volts plug** and **\$50 for 240-volt plug**. **You MUST include the amperage needed for 240-volt plugs! Electricity is limited! Please refer to page 4 and select the type of plug you have.**
3. Vendors will be assigned a specific location designated by the area and booth number. This festival is based on a first come first serve basis and previous vendors are not guaranteed acceptance or their same booth location. There will be no guaranteed booth locations, but every effort will be made to accommodate specific requests by participants.
4. Set up begins at **6 PM – 8 PM Friday evening** for food vendor, **6 AM – 9 AM Saturday** for the remaining vendors. A Hot Pepper Festival Representative will be available to help vendors locate assigned spaces. **I understand the Hot Pepper Festival Parade may interfere with my ability to set up Saturday morning. Please initial**
5. Any display or conduct by Vendor that unnecessarily obstructs neighboring booths or interferes with free passage in the aisles will not be permitted.
6. Those vendors who do not adhere to their assigned set up time will have to dolly or transport their goods into the festival area by hand.
7. **Vendors are required to have a covered booth. Vendors are required to furnish their own tables, chairs, awnings, and 100 ft. extension cord.** Vendors are not allowed to stake their tents into the ground. Vehicles must be out of the barricaded area prior to 8:30 AM the day of the festival and will not be allowed back in until after 6 PM. Unless sold out, any vendor that closes early will be subject to a \$250 fine. Vehicles will not be permitted in the barricaded area during the festival hours in the event of a sellout.
8. **Each Vendor will be responsible for trash removal, and cardboard disposal in containers provided by the Chamber of Commerce. Dumpsters are located at the end of each block. DO NOT use city trash cans or green cans belonging to local businesses. A \$250 fine for trash, cardboard, grease or gray water left behind.**
9. Applicants will receive notification of rejection before the event. No refunds will be made for cancellation or removal for cause.
10. We will not accept personal checks. Vendor payments can be made by money order, cash, or credit/debit cards.
11. Political booths, raffles, commercial vendors, or information/giveaway booths will be allowed in specific locations.
12. Non-Profits must provide a copy of Tax ID Form.
13. Vendors setting up on Friday night are solely responsible for all merchandise and personal items. The Palestine Area Chamber of Commerce will not be held liable for any lost or stolen merchandise.
14. Demonstrations or activities which create a fire, safety or health hazard are not permitted.
15. Any inappropriate behavior, profanity, slander, liable, or other disparaging remarks to or about another vendor during the Hot Pepper Festival or on public social media will not be permitted. The Palestine Area Chamber of Commerce reserves the right to remove any vendor, personnel, or attendee which, in Palestine Area Chamber of Commerce's opinion and sole discretion, does not comply with this requirement. Unethical conduct by the Vendor will subject the Vendor to removal from the Festival. The enforcement of these practices and the Terms and Conditions, including without limitation the removal of Vendor and Vendor's exhibit from the Festival and the Event, is within the Palestine Area Chamber of Commerce's sole discretion. This determination shall be at the sole discretion of Palestine Area Chamber of Commerce. **The Vendor understands and agrees that no refund is due or shall be made and further that no demand for redress will be made by the Vendor under any circumstance. Please initial**

Vendor Signature: _____ Date: _____

Terms and Conditions

See Rules and Regulations Page for Booth Pricing Information

Please read the Terms & Conditions carefully. Submit the completed application to the Palestine Area Chamber of Commerce, 401 W. Main St. Palestine, TX 75801 or hotpepperfest@gmail.com .

For more information, call 903.729.6066.

1. Vendors will not be allowed to transfer their application or fees to another vendor for any reason.
2. Merchandise and display of participant is subject to the Lessor, Palestine Area Chamber of Commerce, who reserves the right to require alteration, replacement, and deletions of any material or activity which is deemed inappropriate for the festival.
3. Lessor reserves the right to change booth assignments at any time deemed necessary.
4. Vendor agrees to assume all liability for damages or loss caused to the premises or their exhibit area by reason of their exhibit and agree to indemnify and hold harmless "Palestine Hot Pepper Festival " and the Palestine Area Chamber of Commerce, sponsor of the event, its directors, officers, and members for all liability which might ensue by reason of his/her exhibit or presence at the event.
5. The undersigned acknowledges that in the case of severe or hazardous weather or any other act of God, there will be no reimbursement of booth fees or any other monies submitted to the Palestine Area Chamber of Commerce. No money of any kind or amount will be returned except in the case in booth space rejection by the Palestine Area Chamber of Commerce.

I, the undersigned, have read the Hot Pepper Festival Participant Application Rules as well as the above Terms and Conditions, including the release, and understand all terms stated therein, I execute this release voluntarily and with full knowledge of its significance.

Business Name: _____

Texas State Sales Tax Number: _____

First Name: _____ **Last Name:** _____

Signature of Applicant: _____ **Date:** _____

Address: _____ **City:** _____ **State:** _____ **Zip:** _____

Phone Number: _____ **Email:** _____

Products to be Sold: _____

Vendor Booth Fee: (10'x10' space) **Number of Spaces:** _____ **x \$125 =** _____

Non-Profit Booth Fee: (10'x10' space) **Number of Spaces:** _____ **x \$100 =** _____

Food Vendor Booth Fee: (10'x20' space) **Number of Spaces:** _____ **x \$250 =** _____

Non-Profit Food Vendor Booth Fee: (10'x20' space) **Number of Spaces:** _____ **x \$150 =** _____

Kidz Zone Vendor Booth Fee: **Number of Spaces:** _____ **x \$250 =** _____

Non-Profit Kidz Zone Vendor Booth Fee: **Number of Spaces:** _____ **x \$100 =** _____

FOOD AND KIDZ ZONE VENDORS ONLY: Proof of Insurance attached: Yes No

Name of Carrier _____ **Policy Number** _____

FOOD VENDOR ONLY: Menu Items/description: _____

Do you need water hook up-up: Yes No **Do you need electricity:** Yes No (if yes, specify on the next page)

Electricity: 120-V (\$45 ea.) 240-V (\$50 ea.)

Number of Electrical outlets needed: _____ x 120 = \$ _____

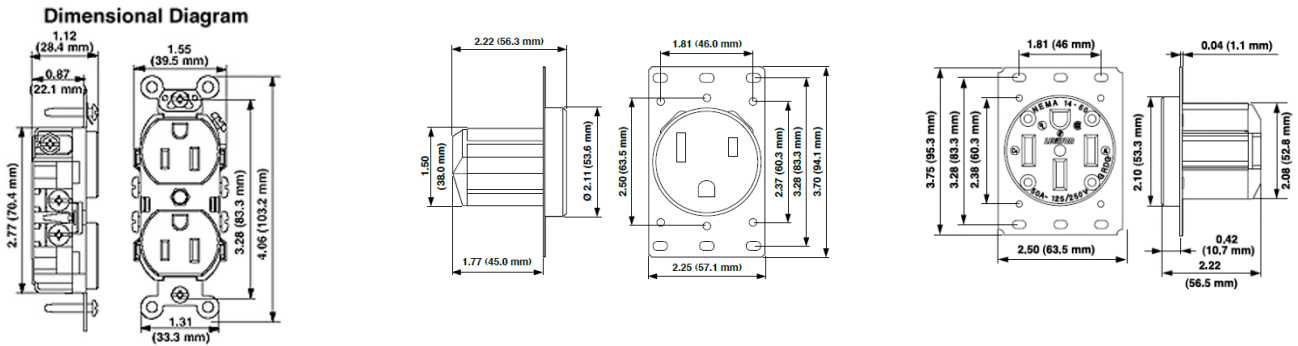
Number of Electrical outlets needed: _____ x 240 = \$ _____

How many total needed Outlets: _____ Number of Prongs/Wires on plug(s): _____

Length of extension cord: (must be at least 100 ft.) _____

Exactly what equipment will need to be plugged in: _____

Please circle which plug applies to you:



Choose One: _____ 30-Amp _____ 50-Amp

If you have a plug that is not pictured, please go to <https://www.stayonline.com/product-resources/nema-straight-blade-reference-chart.asp> and write down the NEMA designation for the type of plug you have: _____

ADDITIONAL NOTES:

If you have a booth preference please explain, please make a note here and we will try to accommodate you:

Payment Information: *fields in green are for office use only*

Method of Payment: Cash _____ MO _____ Credit/Debit _____ **PAYMENT DATE:** _____

Booth amount: \$ _____ + Extras \$ _____ = **TOTAL AMOUNT** \$ _____

ELECTRICAL: _____ **WATER:** _____ **SPECIAL REQUEST:** _____

We will invoice you via Square for secure payment.

Please include a good email for payment. _____

Signature of Authorization: _____ **Date:** _____